



Description

- Front-loading graphic pulls up from the front of the base giving your message floor to rail visibility
- Adjustable feet
- Premium dual action self-adhesive and snap rail with secure end caps
- Self-adhesive leader
- Hybrid Telescopic pole
- 6 sizes: 800, 850, 1000, 1200, 1500 and 2000 mm
- Padded transport bag with side opening and foam reinforced ends

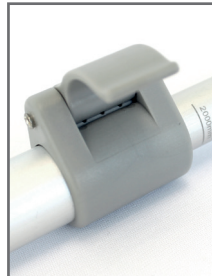
Models 1200/1500/2000 mm supplied with 2 poles



Front-load graphic



End caps



Hybrid pole

Roller Banner ORIENT+

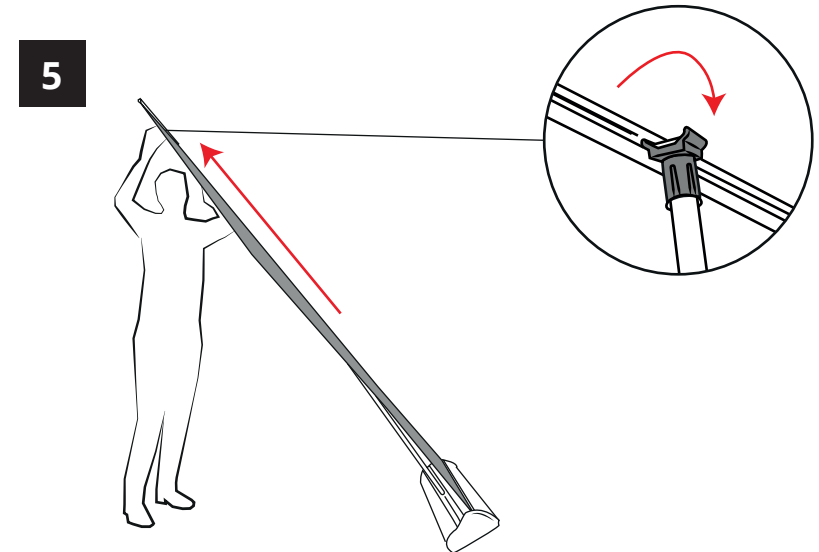
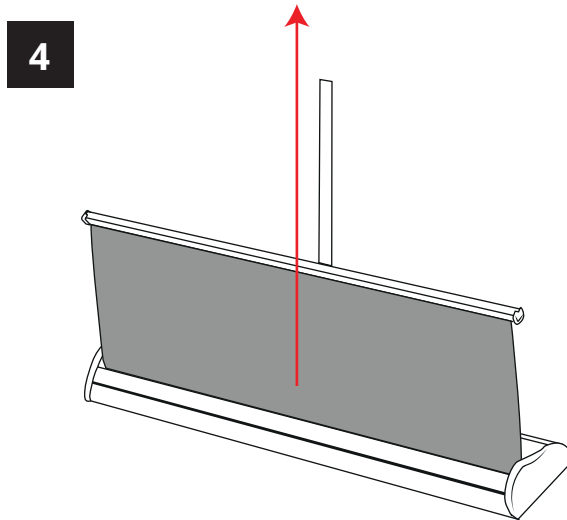
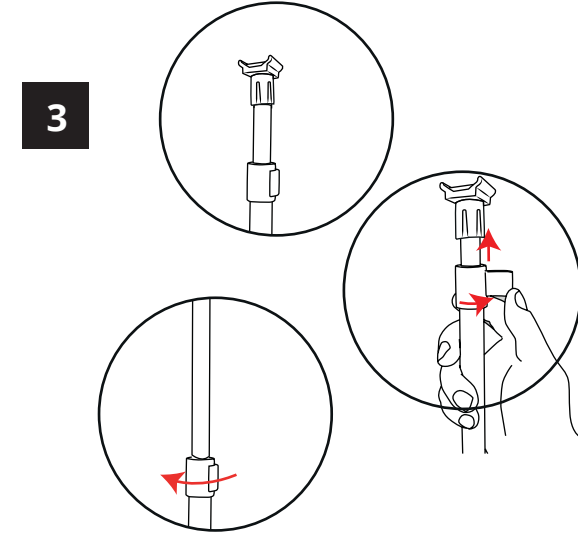
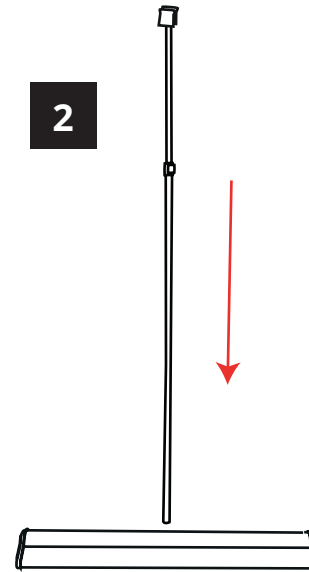
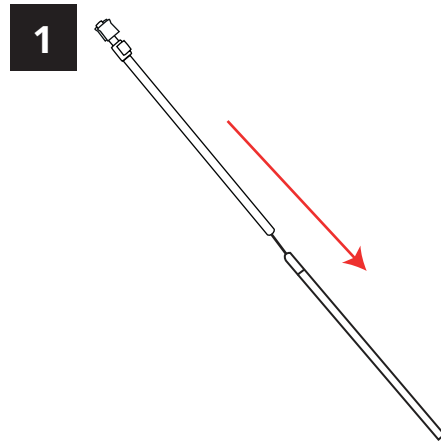
V2



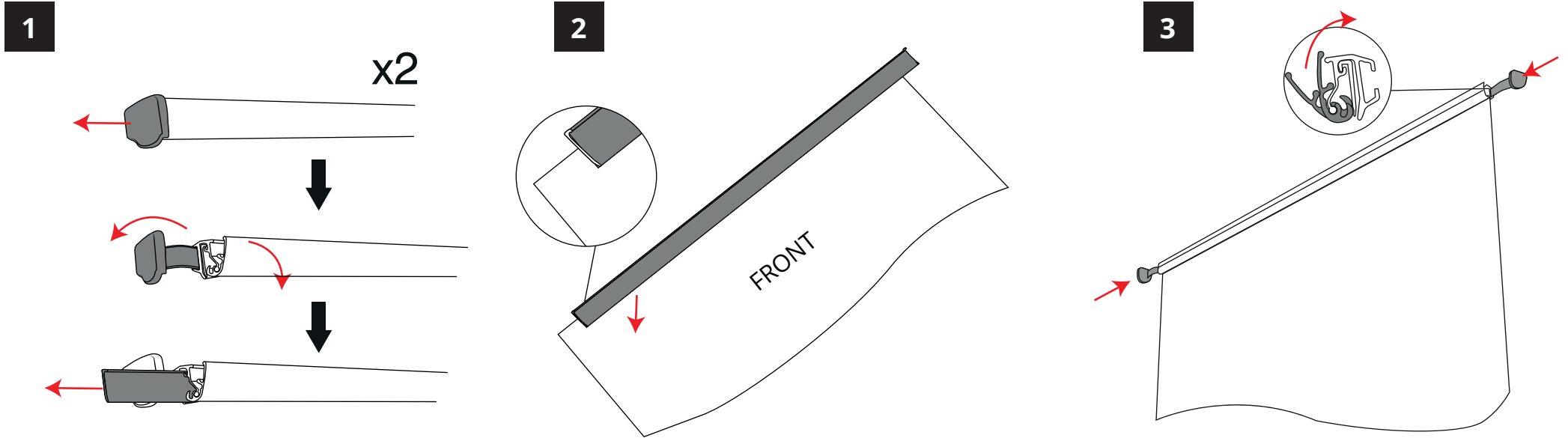
Hardware

Code	Description	Hardware Dimensions (h x w x d mm)	Weight	Parcel dimensions (h x w x d mm)	Box weight
WH353-800-003	Orient+ 800	1595/2220 x 840 x 181 mm	4,15 kg	225 x 930 x 115 mm	5,05 kg
WH353-850-003	Orient+ 850	1595/2220 x 890 x 181 mm	4,2 kg	220 x 975 x 120 mm	5,15 kg
WH353-1000-003	Orient+ 1000	1595/2220 x 1042 x 185 mm	5,05 kg	220 x 1130 x 125 mm	6,15 kg
WH353-1200-003	Orient+ 1200	1595/2220 x 1242 x 185 mm	6,0 kg	220 x 1330 x 120 mm	7,4 kg
WH353-1500-003	Orient+ 1500	1595/2220 x 1542 x 185 mm	7,15 kg	230 x 1625 x 110 mm	8,55 kg
WH353-2000-003	Orient+ 2000	1595/2220 x 2041 x 185 mm	8,9 kg	230 x 2125 x 120 mm	10,8 kg

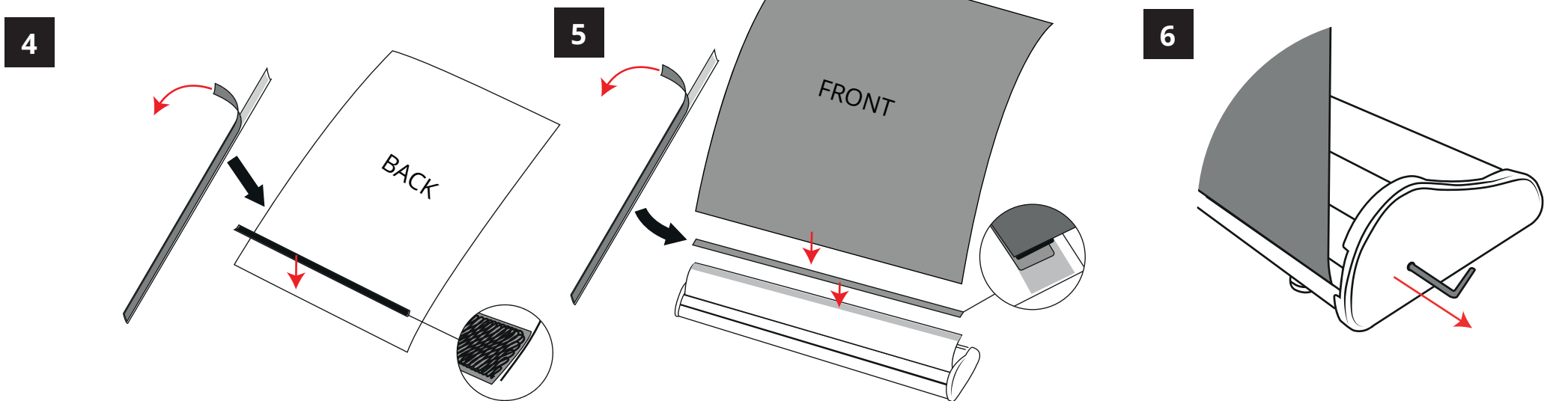
Hardware assembly



Mounting graphics to a strip

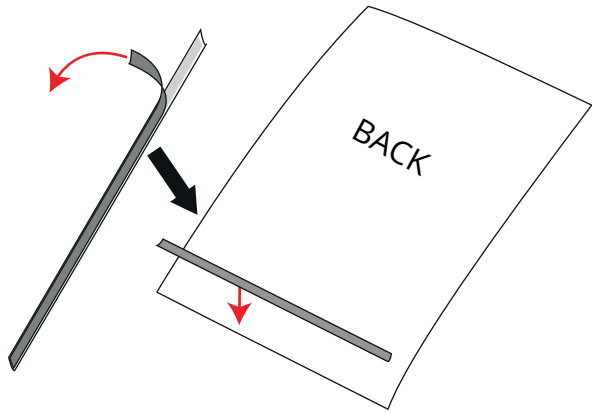


Option 1: Velcro mounting

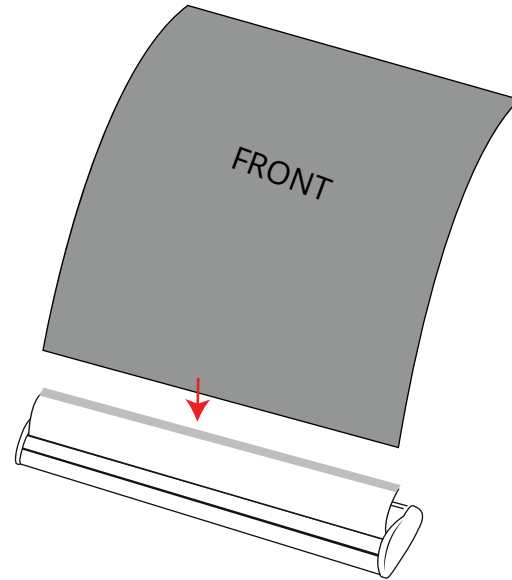


Option 2: Installation with adhesive tape

4



5



6

